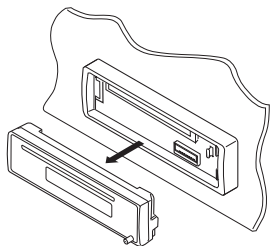
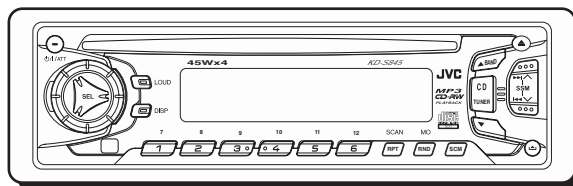


JVC

SERVICE MANUAL

CD RECEIVER

KD-S845



MP3
CD-RW
PLAYBACK

COMPACT
disc
DIGITAL AUDIO
TEXT

Area Suffix
U ----- Other Areas


TABLE OF CONTENTS

1	Important Safety Precautions	2
2	Disassembly method	4
3	Adjustment	12
4	Description of major ICs	16

SECTION 1

Important Safety Precautions

1.1 Safety Precautions

 **CAUTION** Burrs formed during molding may be left over on some parts of the chassis. Therefore, pay attention to such burrs in the case of performing repair of this system.

 **CAUTION** Please use enough caution not to see the beam directly or touch it in case of an adjustment or operation check.

1.2 Preventing static electricity

Electrostatic discharge (ESD), which occurs when static electricity stored in the body, fabric, etc. is discharged, can destroy the laser diode in the traverse unit (optical pickup). Take care to prevent this when performing repairs.

1.2.1 Grounding to prevent damage by static electricity

Static electricity in the work area can destroy the optical pickup (laser diode) in devices such as DVD players.

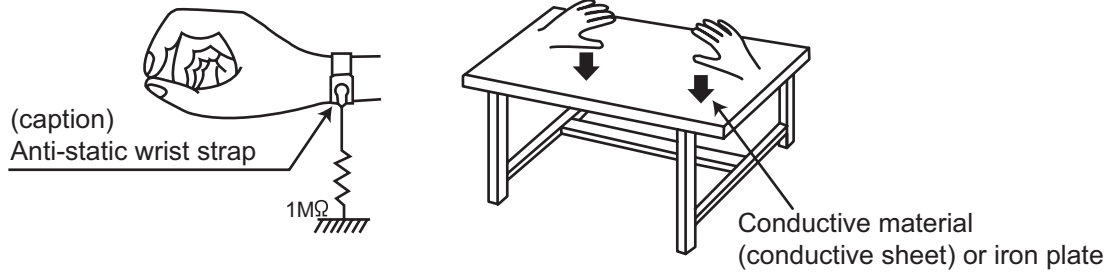
Be careful to use proper grounding in the area where repairs are being performed.

(1) Ground the workbench

Ground the workbench by laying conductive material (such as a conductive sheet) or an iron plate over it before placing the traverse unit (optical pickup) on it.

(2) Ground yourself

Use an anti-static wrist strap to release any static electricity built up in your body.



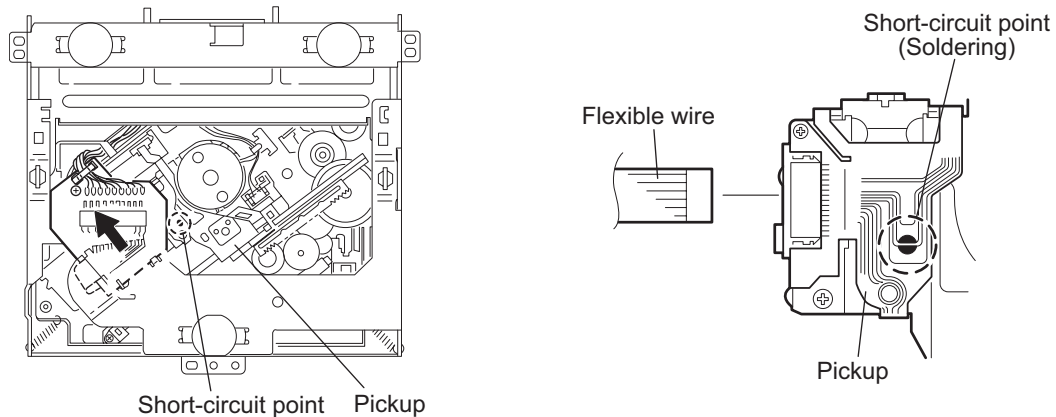
(3) Handling the optical pickup

- In order to maintain quality during transport and before installation, both sides of the laser diode on the replacement optical pickup are shorted. After replacement, return the shorted parts to their original condition. (Refer to the text.)
- Do not use a tester to check the condition of the laser diode in the optical pickup. The tester's internal power source can easily destroy the laser diode.

1.3 Attention when traverse unit is decomposed

***Please refer to "Disassembly method" in the text for the CD pickup unit.**

- Apply solder to the short land before the flexible wire is disconnected from the connector on the CD pickup unit. (If the flexible wire is disconnected without applying solder, the CD pickup may be destroyed by static electricity.)
- In the assembly, be sure to remove solder from the short land after connecting the flexible wire.



SECTION 2

Disassembly method

2.1 Main body

2.1.1 Removing the front panel assembly (See Fig.1)

- (1) Push the detach button in the lower left part of the front panel and remove the front panel assembly in the direction of the arrow.

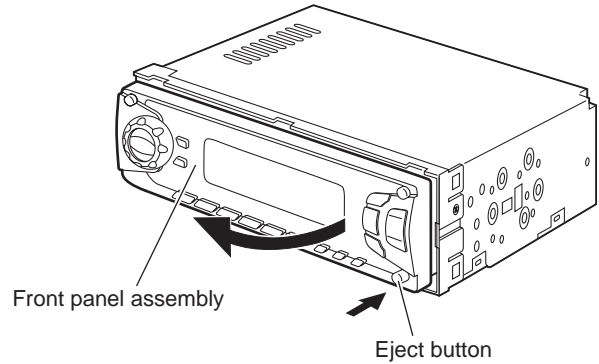


Fig.1

2.1.2 Removing the front chassis assembly (See Figs.2 to 3)

- Prior to performing the following procedure, remove the front panel assembly.
 - (1) Release the two joints **a** and two joints **b** on both sides of the main body.
 - (2) Release the two joints **c** on the bottom side of the main body and remove the front chassis assembly in the direction of the arrow.

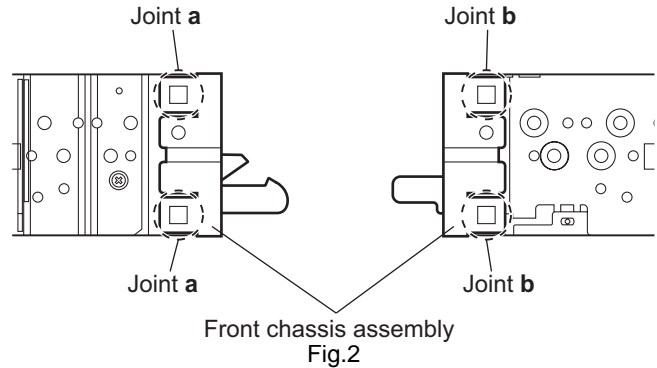


Fig.2

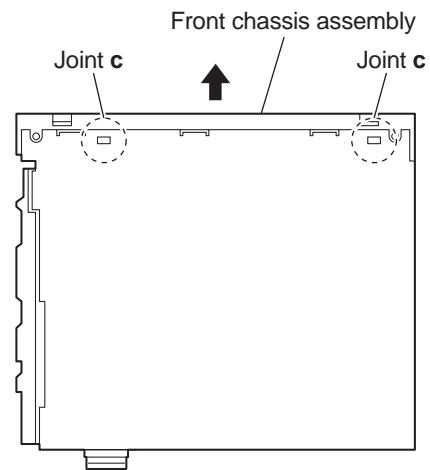


Fig.3

2.1.3 Removing the heat sink (See Fig.4)

- (1) Remove the three screws **A** on the left side of the main body.

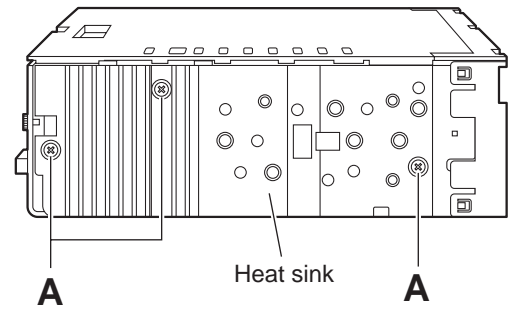


Fig.4

2.1.4 Removing the bottom cover (See Figs.5 and 6)

- Prior to performing the following procedure, remove the front panel assembly, front chassis assembly and heat sink.
 - (1) Turn over the main body and release the two joints **d**, two joints **e** and joint **f**.

CAUTION:

Do not damage the main board when releasing the joint **f** using a screwdriver. (See Figs.5 and 6)

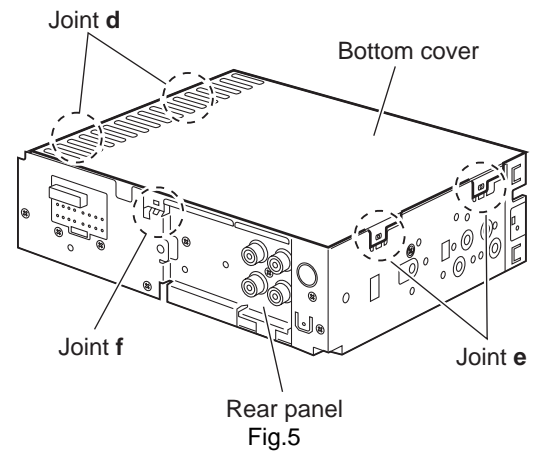


Fig.5

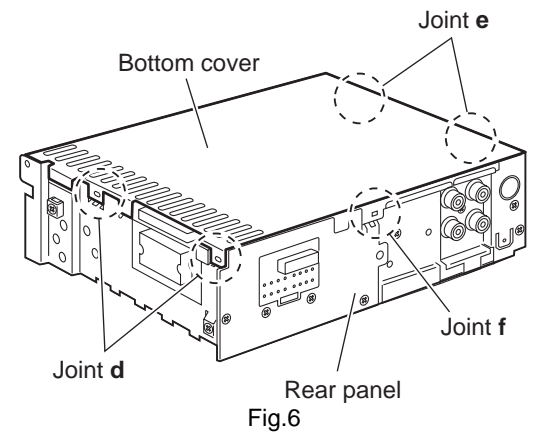


Fig.6

2.1.5 Removing the rear bracket (See Fig.7)

- Prior to performing the following procedure, remove the front panel assembly, front chassis assembly, heat sink and bottom cover.
 - (1) Remove the one screws **B**, for screws **C** and three screws **D** on the back side of the main body.
 - (2) Remove the rear bracket.

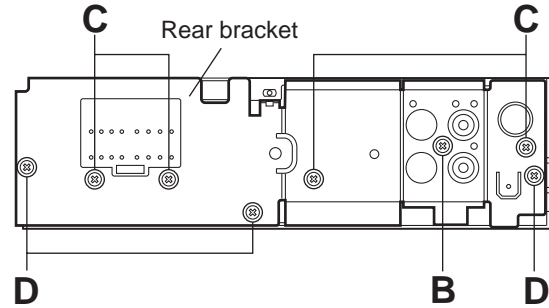


Fig.7

2.1.6 Removing the main board (See Fig.8)

- Prior to performing the following procedure, remove the front panel assembly, front chassis assembly, heat sink, bottom cover and rear bracket.
 - (1) Remove the two screws **E** attaching the main board.
 - (2) Disconnect the connector CN501 and remove the main board.

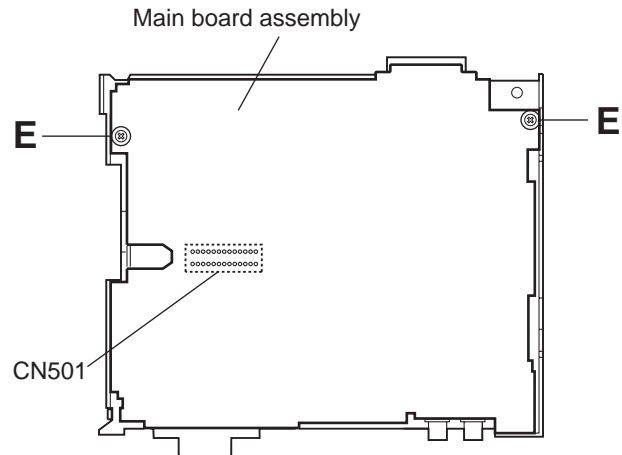


Fig.8

2.1.7 Removing the CD mechanism assembly (See Fig. 9)

- Prior to performing the following procedure, remove the front panel assembly, front chassis assembly, heat sink, bottom cover, rear bracket, main board and CD mecha board.
 - (1) Remove the three screws **F**.

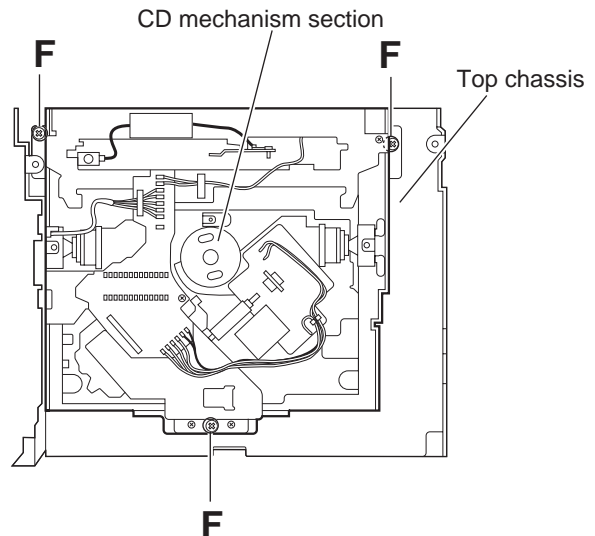


Fig.9

2.1.8 Removing the front board (See Figs. 10 to 12)

- Prior to performing the following procedure, remove the front panel assembly.
 - (1) Remove the four screws **G** on the back side of the front panel assembly.
 - (2) Release the ten joints **g**.
 - (3) Take out the front board.

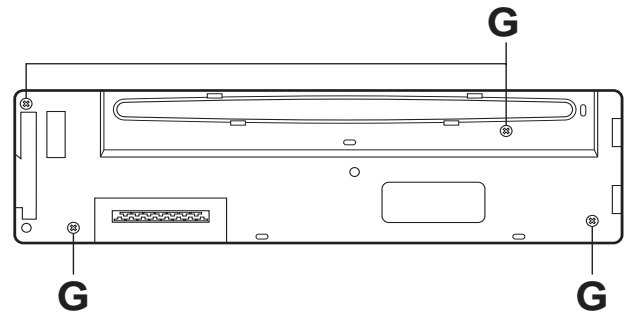


Fig.10

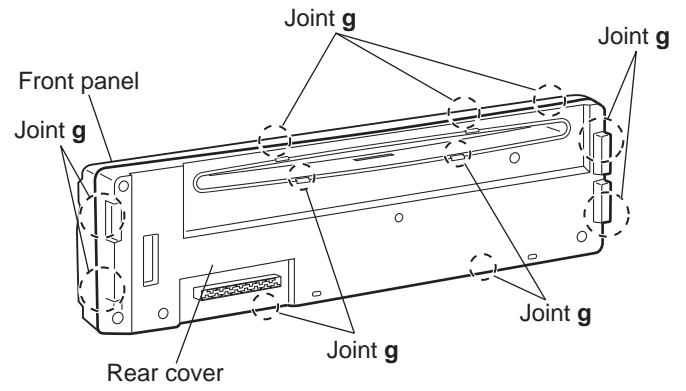


Fig.11

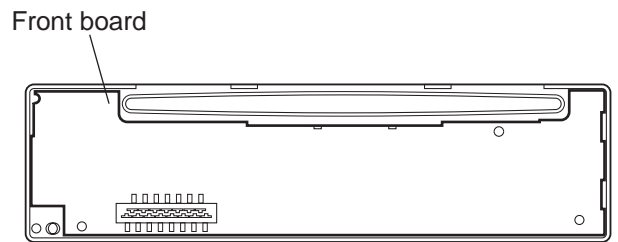


Fig.12

2.2 CD mechanism section

2.2.1 Removing the CD mechanism control board (See Fig.1 and 2)

- (1) Unsolder the part **a** and **b** on the CD mechanism control board.
- (2) Remove the stator fixing the CD mechanism control board and the damper bracket (To remove the stator smoothly, pick up the center part).
- (3) Remove the screw **A** attaching the CD mechanism control board.
- (4) Remove the CD mechanism control board in the direction of the arrow while releasing it from the two damper bracket slots **d** and the front bracket slot **e**.
- (5) Disconnect the flexible wire from connector on the pickup unit.

ATTENTION:

Turn the FD gear in the direction of the arrow to move the entire pickup unit to the appropriate position where the flexible wire of the CD mechanism unit can be disconnected easily.(Refer to Fig.2)

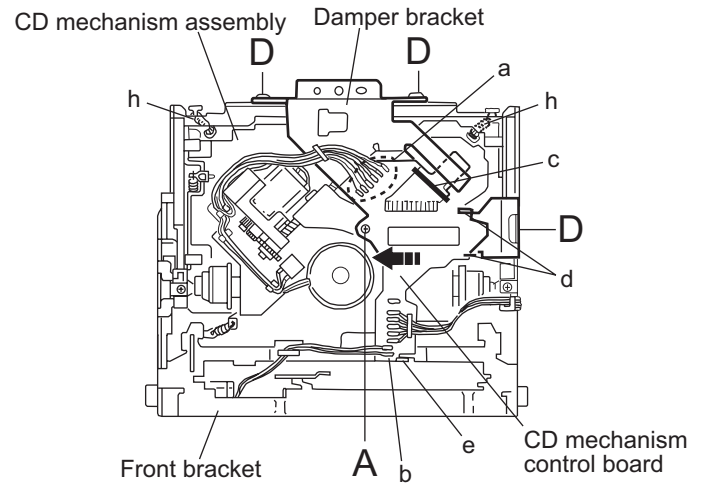


Fig.1

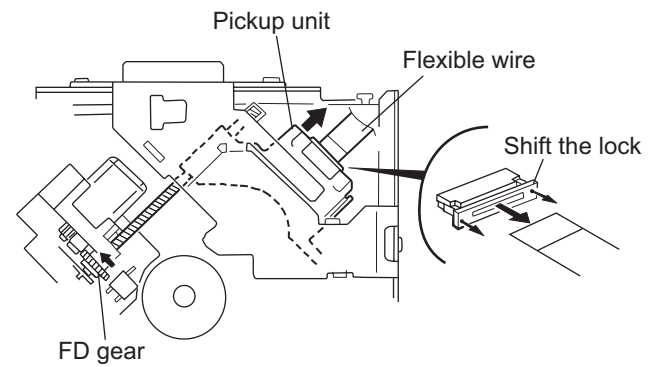


Fig.2

2.2.2 Removing the loading motor (See Fig.3 to 5)

- Prior to performing the following procedure, remove the CD mechanism control board.
 - (1) Remove the two springs **f** attaching the CD mechanism assembly and the front bracket.
 - (2) Remove the two screws **B** and the front bracket while pulling the flame outward.
 - (3) Remove the belt and the screw **C** from the loading motor.

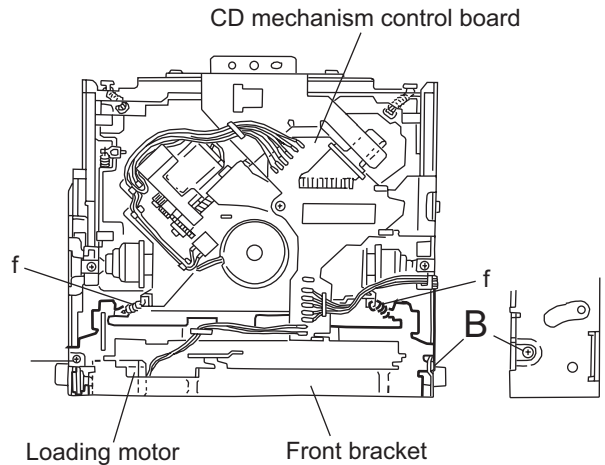


Fig.3

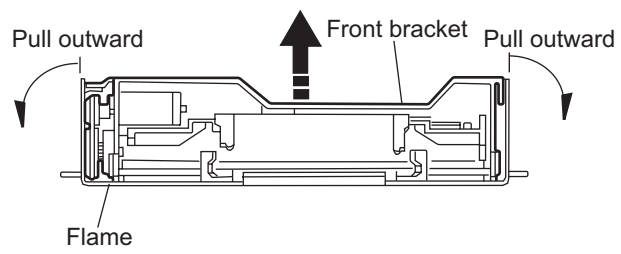


Fig.4

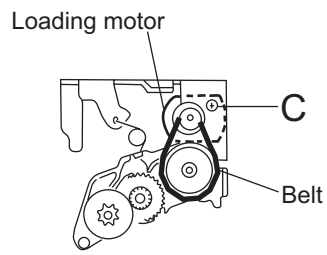


Fig.5

2.2.3 Removing the CD mechanism assembly (See Fig.1, 6 to 9)

- Prior to performing the following procedure, remove the CD mechanism control board and the front bracket (loading motor).
 - (1) Remove the three screws **D** and the damper bracket.
 - (2) Raise the both sides fix arms and move the fix plates in the direction of the arrow to place the four shafts **g** as shown in Fig.8 and 9.
 - (3) Remove the CD mechanism assembly and the two springs **h** attaching the flame.
 - (4) Remove the two screws **E** and both sides rear damper brackets from the dampers. Detach the CD mechanism assembly from the left side to the right side.

ATTENTION:

The CD mechanism assembly can be removed if only the rear damper bracket on the left side is removed.

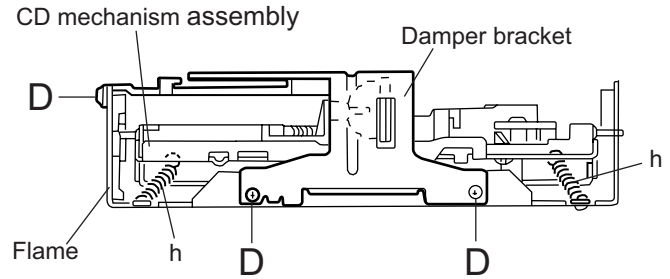


Fig.6

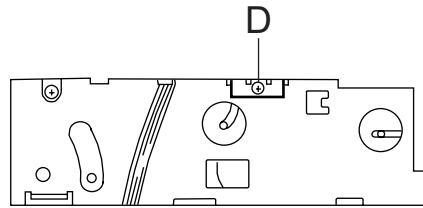


Fig.7

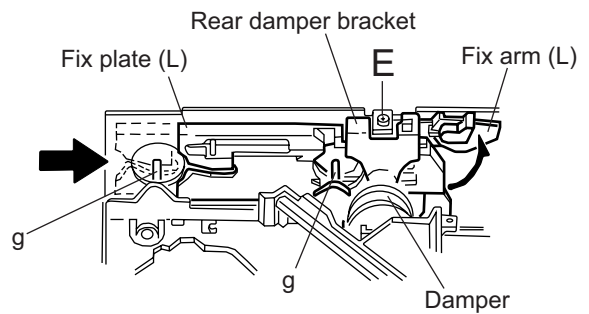


Fig.8

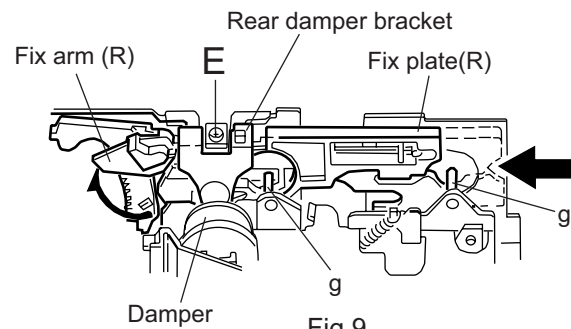


Fig.9

Fig.9

2.2.4 Removing the feed motor assembly
(See Fig.10)

- Prior to performing the following procedure, remove the CD mechanism control board, the front bracket (loading motor) and the CD mechanism assembly.
- (1) Remove the two screws **F** and the feed motor assembly.

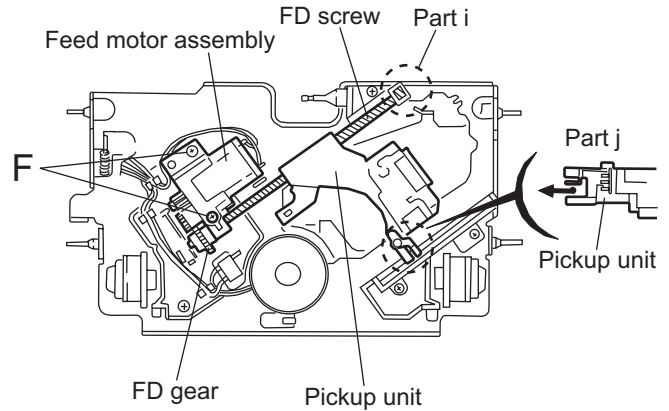


Fig.10

2.2.5 Removing the pickup unit
(See Fig.10 and 11)

- Prior to performing the following procedure, remove the CD mechanism control board, the front bracket (loading motor), the CD mechanism assembly and the feed motor assembly.
- (1) Detach the FD gear part of the pickup unit upward. Then remove the pickup unit while pulling out the part **i** of the FD screw.

ATTENTION:

When reattaching the pickup unit, reattach the part **j** of the pickup unit, then the part **i** of the FD screw.

- (2) Remove the screw **G** attaching the nut push spring plate and the pickup mount nut from the pickup unit. Pull out the FD screw.

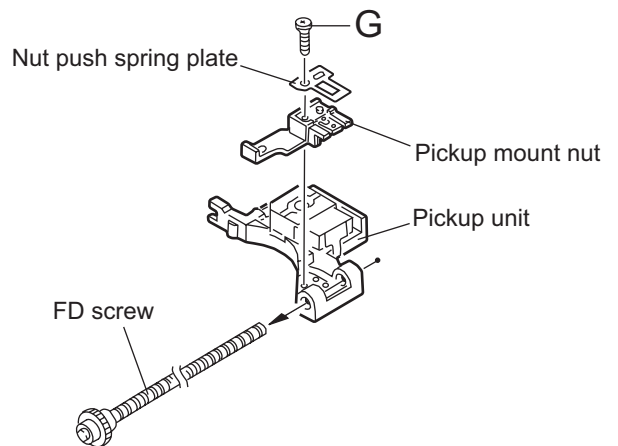


Fig.11

2.2.6 Removing the spindle motor
(See Fig.12 and 13)

- Prior to performing the following procedure, remove the CD mechanism control board, the front bracket (loading motor), the CD mechanism assembly and the feed motor assembly.
- (1) Turn up the CD mechanism assembly and remove the two springs **k** on both sides of the clamber arms. Open the clamber arm upward.
- (2) Turn the turn table, and remove the two screws **H** and the spindle motor.

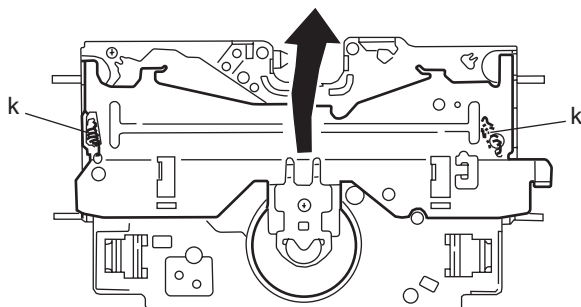


Fig.12

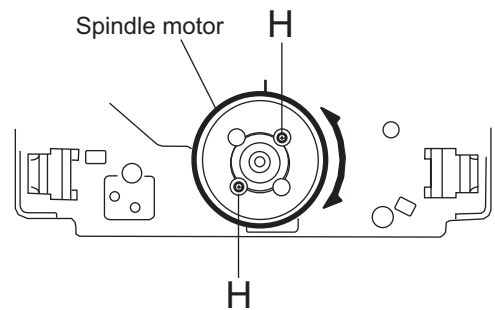


Fig.13

SECTION 3 Adjustment

■ Test instruments required for adjustment

1. Digital oscilloscope (100MHz)
2. AM Standard signal generator
3. FM Standard signal generator
4. Stereo modulator
5. Electric voltmeter
6. Digital tester
7. Tracking offset meter
8. Test Disc JVC :CTS-1000
9. Extension cable for check
EXTGS004-26P ×1

■ Standard volume position

Balance and Bass & Treble volume : Indication "0"
Loudness : OFF
BBE : OFF

■ Frequency Band

FM 87.5MHz to 108.0MHz
AM 531 kHz to 1602 kHz

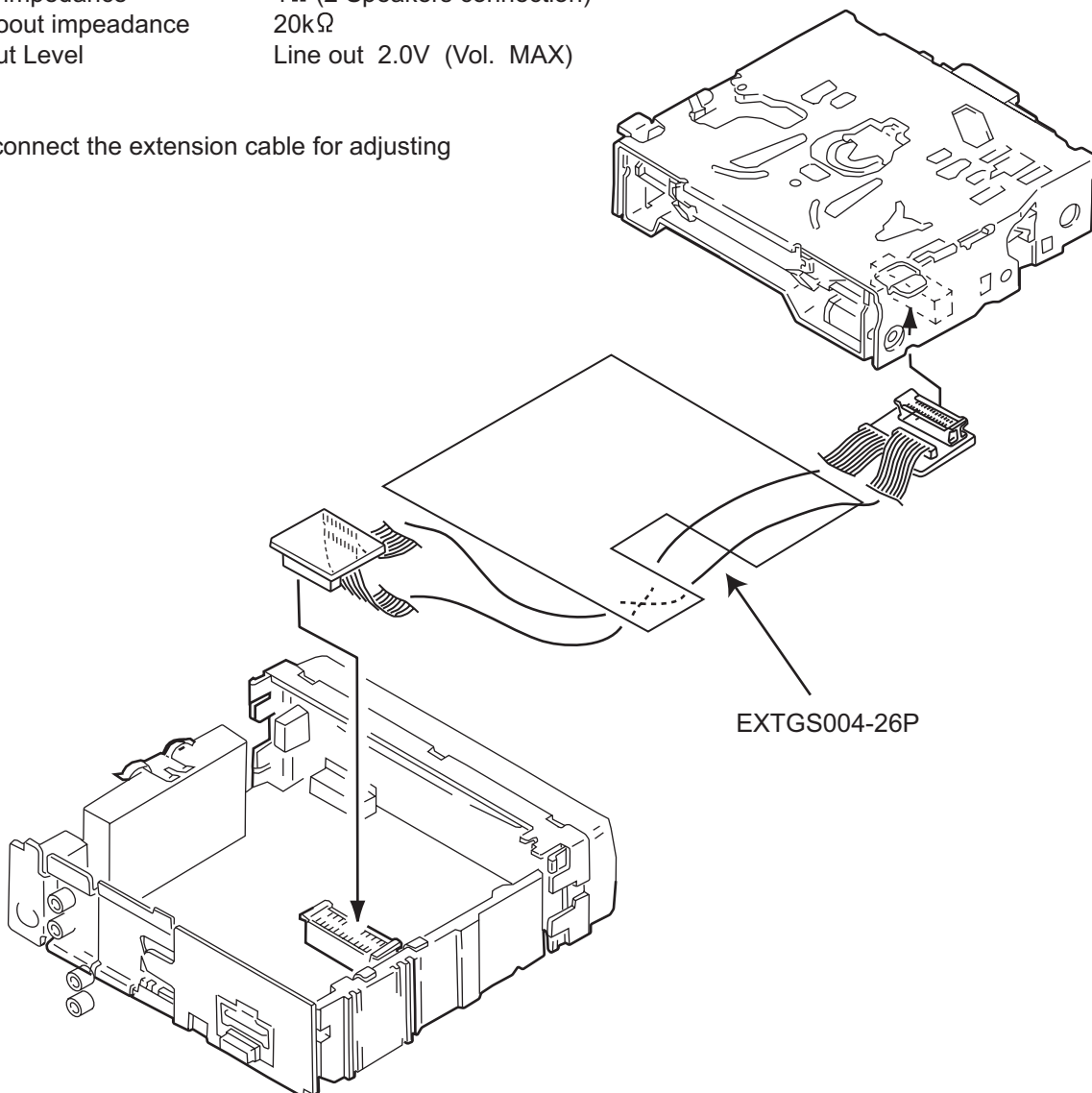
■ Dummy load

Exclusive dummy load should be used for AM, and FM. For FM dummy load, there is a loss of 6dB between SSG output and antenna input. The loss of 6dB need not be considered since direct reading of figures are applied in this working standard.

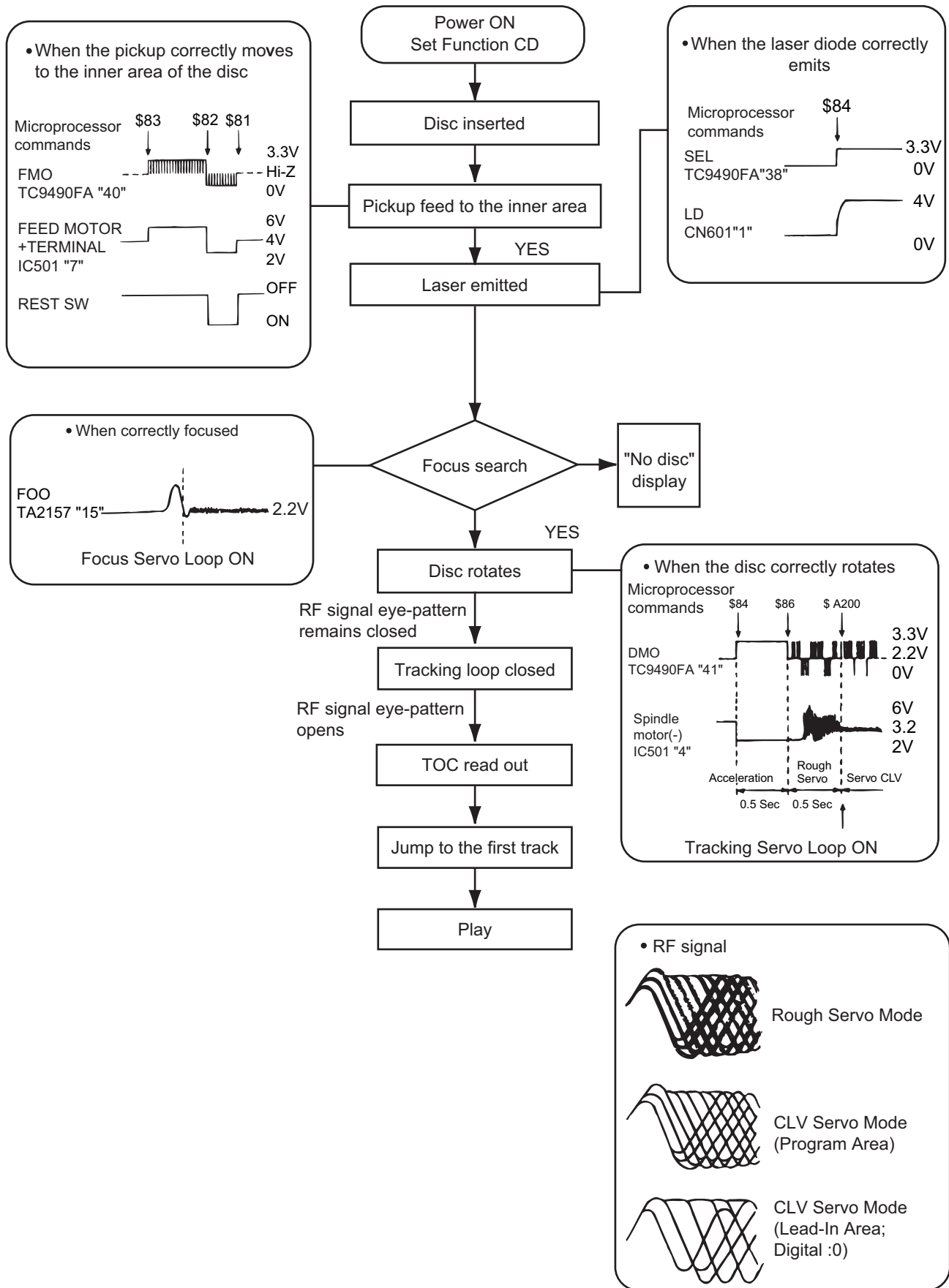
■ Standard measuring conditions

Power supply voltage	DC14.4V(10.5~16V)
Load impedance	4Ω (2 Speakers connection)
Line out impedance	20kΩ
Output Level	Line out 2.0V (Vol. MAX)

■ How to connect the extension cable for adjusting



3.2 Flow of functional operation unit TOC read



PARTS LIST

[KD-S845]

* All printed circuit boards and its assemblies are not available as service parts.

Area suffix

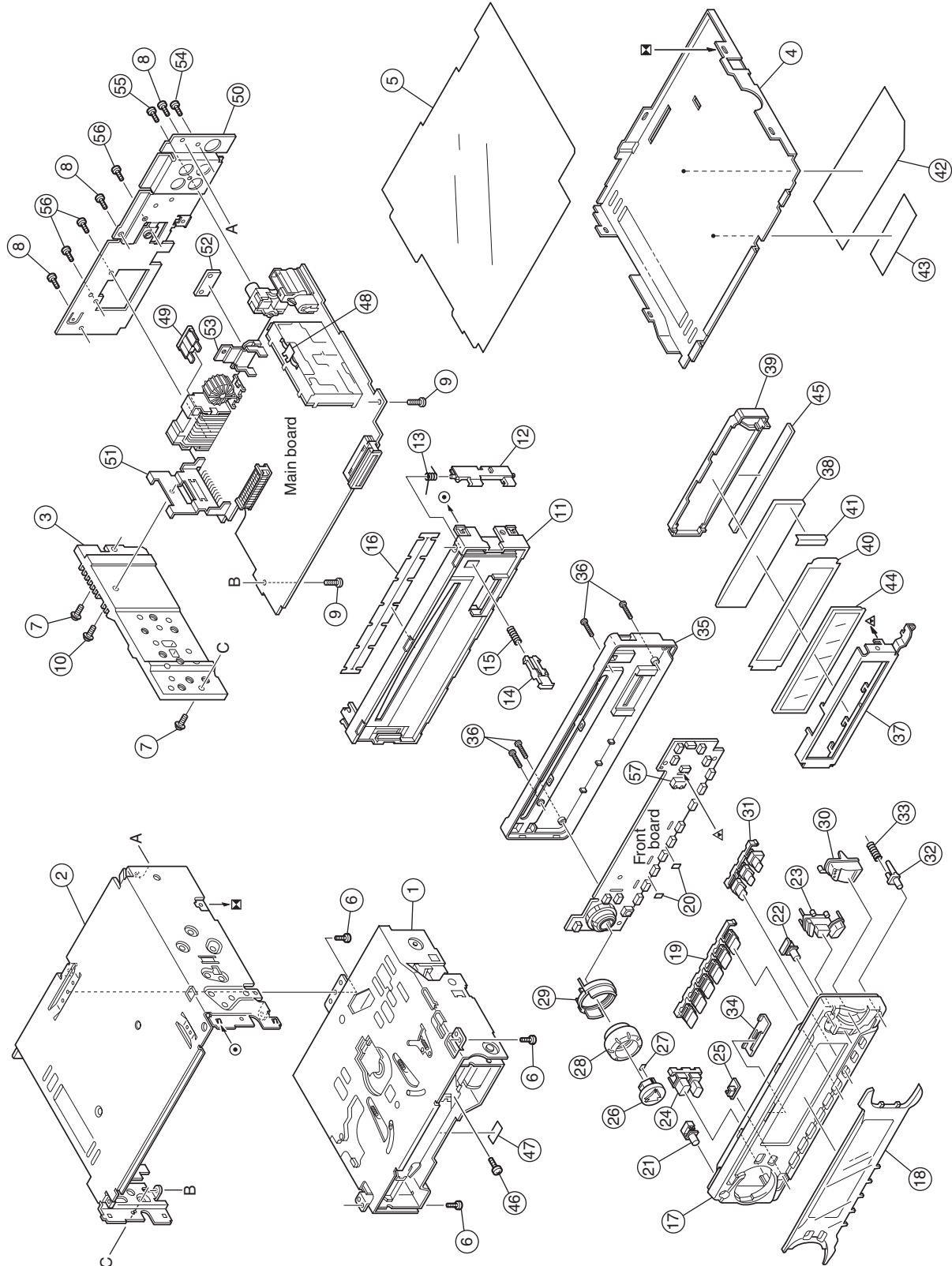
U ----- Other Areas

- Contents -

Exploded view of general assembly and parts list (Block No.M1)	3-2
CD mechanism assembly and parts list (Block No.MB)	3-4
Electrical parts list (Block No.01~02)	3-6
Packing materials and accessories parts list (Block No.M3)	3-12

Exploded view of general assembly and parts list

Block No. M 1 M M



General assembly

Block No. [M][1][M][M]

△ Symbol No.	Part No.	Part Name	Description	Local
1	-----	CD MECHA		
2	FSJC1029-401	TOP CHASSIS		
3	FSMH3001-202	SIDE PANEL		
4	FSKM3011-002	BOTTOM COVER		
5	FSMA3004-203	INSULATOR		
6	QYSDST2604Z	SCREW	2.6mm x 4mm(x3)	
7	FSKZ4005-001	SCREW	(x2)	
8	QYSDST2604Z	SCREW	2.6mm x 4mm(x3)	
9	QYSDST2606Z	SCREW	2.6mm x 6mm(x2)	
10	FSKZ4005-001	SCREW		
11	FSJC2013-014	FRONT CHASSIS		
12	FSKS3010-001	LOCK LEVER		
13	FSKW4005-003	TORSION SPRING		
14	FSXP3026-002	RLS KNOB		
15	FSKW3002-015	COMP.SPRING		
16	FSPK3009-002	BLIND		
17	GE10003-003A	FRONT PANEL		
18	GE30111-034A	FINDER ASSY		
19	GE20104-004A	PRESET BUTTON		
20	FSYH4036-069	SHEET	(x2)	
21	GE30105-002B	POWER BUTTON		
22	GE30109-002A	EJECT BUTTON		
23	GE20110-010C	D.FUNC.BUTTON		
24	GE30112-001A	PUSH BUTTON(2)		
25	GE40102-001A	REMOTE LENS		
26	GE30366-001A	SEL BUTTON		
27	FSYH4036-032	SHEET		
28	GE30546-004A	KNOB		
29	GE30104-002A	RIM LENS		
30	GE20109-002C	UP/DOWN BUTTON		
31	GE30106-001A	SND FUNC BUTTON		
32	FSXP3055-001	DETACH BUTTON		
33	FSKW3002-012	COMP.SPRING		
34	GE30117-001A	LIGHT LENS		
35	GE10004-004B	REAR COVER		
36	VKZ4777-001	MINI SCREW	(x4)	
37	GE30276-001A	LCD CASE		
38	FSJK3025-001	LCD LENS		
39	FSKS3019-001	LENS CASE		
40	FSYH4074-001	LIGHTING SHEET		
41	FSYH4071-001	LIGHTING SHEET		
42	GE30939-001A	NAME PLATE		
43	LV41843-001A	LASER CAUTION		
44	QLD0225-001	LCD MODULE		
45	QNZ0442-001	LCD CONNECTOR		
46	QYSDST2004Z	SCREW	2mm x 4mm	
47	LV40847-002A	SPACER		
48	VMA4652-001SS	SHIELD PLATE		
△ 49	QMFZ047-150-T	FUSE	15A	
50	FSKM3010-020	REAR BRACKET		
51	FSKL4024-001	IC BRACKET		
52	GE40107-002A	HEAT SINK		
53	GE40103-002A	REG BRACKET		
54	QYSDST2606Z	SCREW	2.6mm x 6mm	
55	QYSDSF3006Z	SCREW	3mm x 6mm	
56	QYSDST2606Z	SCREW	2.6mm x 6mm(x3)	
57	GE30854-001A	LED HOLDER		

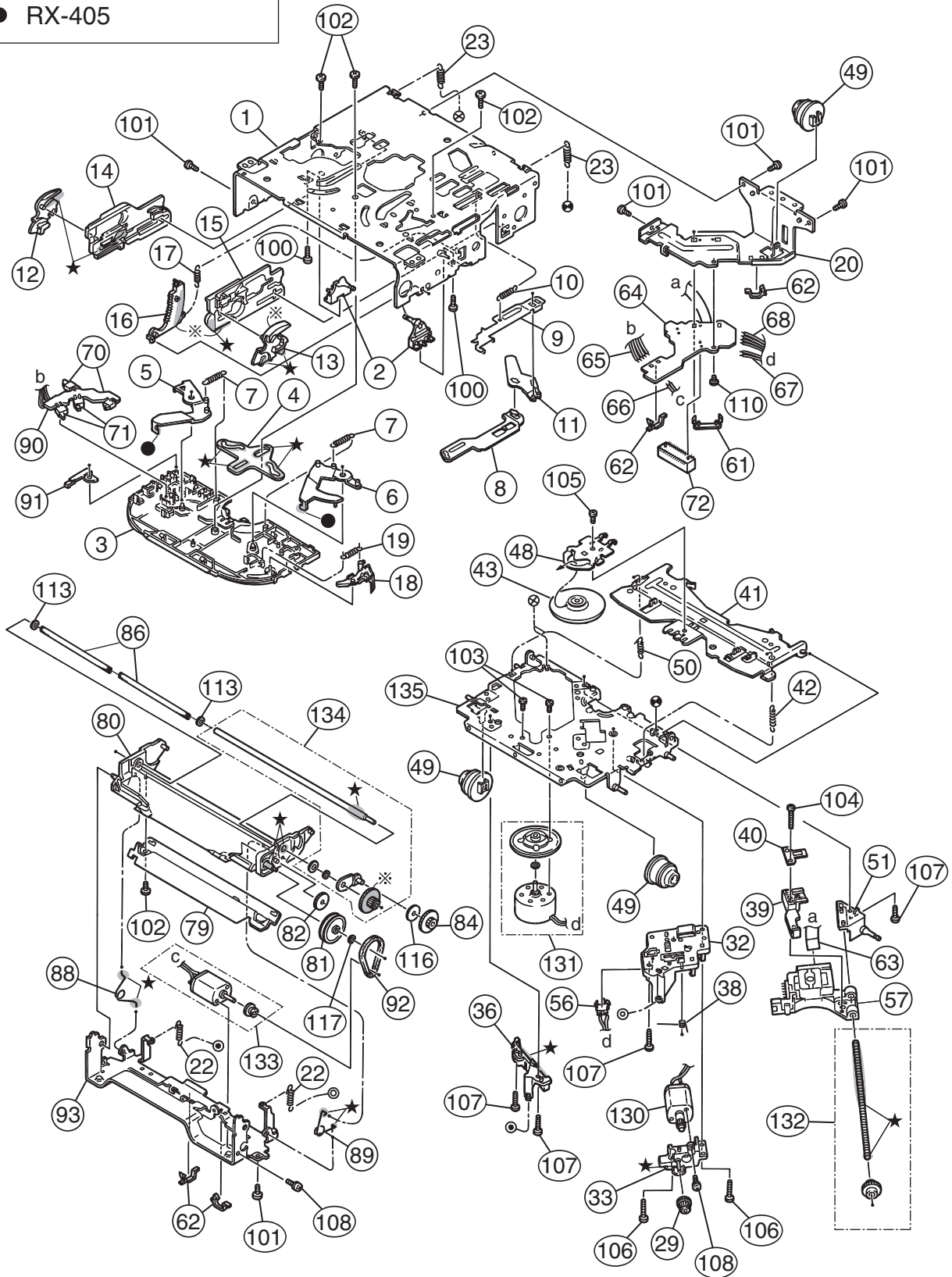
CD mechanism assembly and parts list

Block No. M B M M

TN-CCD1001Z-138S

Grease

- ★ G-31SA
- ※ G-31SA(Bottom side)
- RX-405



CD mechanism

Block No. [M][B][M][M]					△ Symbol No.	Part No.	Part Name	Description	Local
△ Symbol No.	Part No.	Part Name	Description	Local					
1	30310101T	FRAME			130	303105310T	FEED MO ASSY		
2	30310103T	DANPER PIN	(x2)		131	303105311T	SPINDLE MO ASSY		
3	30310107T	UPPER PL			132	303105312T	FEED SCREW ASSY		
4	30310108T	SEL STOP PL			133	303111301T	LDG MOTOR ASSY		
5	30310142T	SEL ARM (L)L			134	303111302T	RDG RLR SFT ASY		
6	30310143T	SEL ARM (R)L			135	303105502T	T.T.BASE ASSY		
7	30310145T	S ARM SPRING(L)	(x2)						
8	30310112T	TRIG LVR							
9	30310155T	TRIG PL(Z)							
10	30310115T	TRIG PL SPRING							
11	30310116T	TRIG ARM							
12	30310134T	FIX ARM (L)B							
13	30310159T	FIX ARM (R)Z							
14	30310150T	FIX PL (L)Z							
15	30310156T	FIX PL (R) Z							
16	30310138T	LDG GR (6)B							
17	30310122T	LDG GR (6)SP							
18	30310148T	S.L ARM(N)							
19	30310125T	S.L ARM SPRING							
20	30310149T	REAR DAM BKT(Z)							
22	30310151T	HUNG UP SP (FZ)	(x2)						
23	30310129T	HUNG UP SP (R)	(x2)						
29	30300510T	PU GEAR(B)							
32	30310544T	F.M.BASE(Z)							
33	30310547T	FD GR BLK(Z)							
36	30310546T	PU GUIDE(Z)							
38	30310533T	THRUST SPR(M)							
39	30310577T	PU M NUT(Z-S)							
40	30310512T	NUT PUSH SPR PL							
41	30310558T	CLP ARM(Z)							
42	30310514T	CLP ARM SPRING							
43	30310552T	CLAMPER(Z)							
48	30310557T	CLAMPER PLATE(Z)							
49	30310524T	DAMPER (J)	(x3)						
50	30310525T	CLP ARM SPR (L)							
51	30310545T	F SCREW GUIDE(Z)							
56	64180405T	DET SW							
57	QAL0230-001	C.D PICK (SONY)							
61	30311035T	FPC HOLDER(Z)							
62	19501403T	WIRE CLUMPER	(x4)						
63	30311045T	PICK UP FPC(Z-S)							
64	30311044T	CONNECT.PCB(Z-S)							
65	30311038T	WIRE (5P-Z)							
66	30311039T	WIRE (LD-Z)							
67	30311040T	WIRE (FD-Z)							
68	30311041T	WIRE (RS-Z)							
70	64180402T	DET SW	(x2)						
71	64180403T	DET SW	(x2)						
72	68150242T	CONNECTOR							
79	30311105T	SOPPORT PL							
80	30311138T	GR MT BLK(N)							
81	30311109T	LDG GR (2)							
82	30311110T	LDG GR (3)							
84	30311112T	LDG GR (5)							
86	30311136T	LDG ROLLER	(x2)						
88	30311118T	L.P SP (L)							
89	30311119T	L.P SP (R)							
90	30311123T	SW PCB							
91	30311124T	SW ACTR							
92	30311129T	LDG BELT							
93	30311140T	FRONT BRKT (J)							
100	9C0620503T	C B TAP SCREW	(x2)						
101	9C2020401T	C SCREW TS.G	(x5)						
102	9C4320403T	C B TAP SCREW	(x4)						
103	9C0117223T	SCREW	(x2)						
104	9C0917703T	C TAP SCREW S3							
105	9C0320201T	C TAP SCREW S3							
106	9C4920013T	C TAP SCREW S3	(x2)						
107	9C4920603T	C TAP SCREW B3	(x4)						
108	9P0220031T	TAMS SCREW	(x2)						
110	9C0420253	C TAP SCREW							
113	9W0330276	NW BLUE	(x2)						
116	9W0725030T	LUMILAR W							
117	9W0640030T	WASHER							

Electrical parts list

Main board

Block No. [0][1][0][0]

△ Symbol No.	Part No.	Part Name	Description	Local	△ Symbol No.	Part No.	Part Name	Description	Local
IC31	TB2118F-X	PLL IC			D972	RB160M-30-X	SB DIODE		
IC161	TEA6320T-X	IC			D981	1SS355-X	SI DIODE		
IC301	LA4743K	POWER IC			D982	1SS355-X	SI DIODE		
IC401	TC94A02F-005	IC			C1	QEKJ1CM-226Z	E CAPACITOR	22uF 16V M	
IC451	K6R1008VDT110-X	SRAM IC			C2	NCB31EK-473X	C CAPACITOR	0.047uF 25V K	
IC461	NJU7241F25-X	IC			C3	NCB31EK-103X	C CAPACITOR	0.01uF 25V K	
IC471	NJU7241F33-X	IC			C4	QERF1AM-227Z	E CAPACITOR	220uF 10V M	
IC501	LA6574H-X	BTL DRIVER			C5	QEKJ1HM-105Z	E CAPACITOR	1uF 50V M	
IC521	TA2147F-X	IC			C6	NCB31HK-103X	C CAPACITOR	0.01uF 50V K	
IC541	TC9490FA	IC			C10	QERF1CM-106Z	E CAPACITOR	10uF 16V M	
IC581	NJM4565M-WE	IC			C11	NCB31EK-103X	C CAPACITOR	0.01uF 25V K	
IC701	UPD784215AGC184	IC			C31	QEKJ1AM-107Z	E CAPACITOR	100uF 10V M	
IC702	IC-PST600M/G/-W	IC			C32	NDC31HJ-470X	C CAPACITOR	47pF 50V J	
IC901	AN80T07	IC			C33	QERF0JM-476Z	E CAPACITOR	47uF 6.3V M	
Q1	2SD601A/R/-X	TRANSISTOR			C34	NCB31EK-473X	C CAPACITOR	0.047uF 25V K	
Q2	2SD601A/R/-X	TRANSISTOR			C35	NDC31HJ-100X	C CAPACITOR	10pF 50V J	
Q3	UN2111-X	TRANSISTOR			C36	NDC31HJ-7R0X	C CAPACITOR	7pF 50V J	
Q5	2SB709A/R/-X	TRANSISTOR			C37	NDC31HJ-100X	C CAPACITOR	10pF 50V J	
Q6	2SB815/7/-X	TRANSISTOR			C38	NCB31HK-102X	C CAPACITOR	1000pF 50V K	
Q7	UN2211-X	TRANSISTOR			C39	NCB31HK-102X	C CAPACITOR	1000pF 50V K	
Q31	UN2211-X	TRANSISTOR			C40	QEKJ1CM-106Z	E CAPACITOR	10uF 16V M	
Q241	2SD601A/R/-X	TRANSISTOR			C41	NCB31EK-473X	C CAPACITOR	0.047uF 25V K	
Q321	2SD1781K/QR/-X	TRANSISTOR			C42	NCB31HK-103X	C CAPACITOR	0.01uF 50V K	
Q331	2SD1781K/QR/-X	TRANSISTOR			C43	QFV61HJ-473Z	MF CAPACITOR	0.047uF 50V J	
Q341	2SD1781K/QR/-X	TRANSISTOR			C44	NCB31HK-103X	C CAPACITOR	0.01uF 50V K	
Q351	2SD1781K/QR/-X	TRANSISTOR			C45	NCB31HK-272X	C CAPACITOR	2700pF 50V K	
Q430	UN2211-X	TRANSISTOR			C46	NCB31HK-103X	C CAPACITOR	0.01uF 50V K	
Q440	UN2211-X	TRANSISTOR			C47	NCB31HK-103X	C CAPACITOR	0.01uF 50V K	
Q501	2SB1322/RS/-T	TRANSISTOR			C48	NCB31EK-473X	C CAPACITOR	0.047uF 25V K	
Q521	2SB1241/QR/-T	TRANSISTOR			C49	NCB31HK-102X	C CAPACITOR	1000pF 50V K	
Q541	UN2111-X	TRANSISTOR			C50	NCS31HJ-101X	C CAPACITOR	100pF 50V J	
Q542	UN2211-X	TRANSISTOR			C51	NCS31HJ-331X	C CAPACITOR	330pF 50V J	
Q781	UN2111-X	TRANSISTOR			C81	QERF1HM-105Z	E CAPACITOR	1uF 50V M	
Q782	UN2211-X	TRANSISTOR			C82	NCB31HK-562X	C CAPACITOR	5600pF 50V K	
Q784	UN2111-X	TRANSISTOR			C84	NCB31HK-183X	C CAPACITOR	0.018uF 50V K	
Q976	UN2211-X	TRANSISTOR			C91	QERF1HM-105Z	E CAPACITOR	1uF 50V M	
Q977	2SA1037AK/RS/-X	TRANSISTOR			C92	NCB31HK-562X	C CAPACITOR	5600pF 50V K	
Q981	2SD601A/R/-X	TRANSISTOR			C94	NCB31HK-183X	C CAPACITOR	0.018uF 50V K	
D1	1SS133-T1	SI DIODE			C161	QEKJ1HM-105Z	E CAPACITOR	1uF 50V M	
D2	1SS133-T1	SI DIODE			C162	QEKJ1HM-105Z	E CAPACITOR	1uF 50V M	
D4	1SS355-X	SI DIODE			C164	NCB31HK-822X	C CAPACITOR	8200pF 50V K	
D5	1SS355-X	SI DIODE			C165	NCB21CK-154X	C CAPACITOR	0.15uF 16V K	
D240	1SS355-X	SI DIODE			C166	NCB21CK-224X	C CAPACITOR	0.22uF 16V K	
D241	1SS355-X	SI DIODE			C167	NCB31EK-333X	C CAPACITOR	0.033uF 25V K	
D242	1SS133-T1	SI DIODE			C168	NCB31HK-562X	C CAPACITOR	5600pF 50V K	
D243	1SS133-T1	SI DIODE			C169	QEKJ1EM-475Z	E CAPACITOR	4.7uF 25V M	
D321	1SS355-X	SI DIODE			C170	QEKJ1EM-475Z	E CAPACITOR	4.7uF 25V M	
D331	1SS355-X	SI DIODE			C171	QEKJ1HM-105Z	E CAPACITOR	1uF 50V M	
D341	1SS355-X	SI DIODE			C172	QEKJ1HM-105Z	E CAPACITOR	1uF 50V M	
D351	1SS355-X	SI DIODE			C174	NCB31HK-822X	C CAPACITOR	8200pF 50V K	
D501	1A3G-T1	SI DIODE			C175	NCB21CK-154X	C CAPACITOR	0.15uF 16V K	
D701	UDZS6.2B-X	Z DIODE			C176	NCB21CK-224X	C CAPACITOR	0.22uF 16V K	
D702	UDZS6.2B-X	Z DIODE			C177	NCB31EK-333X	C CAPACITOR	0.033uF 25V K	
D703	UDZS6.2B-X	Z DIODE			C178	NCB31HK-562X	C CAPACITOR	5600pF 50V K	
D704	UDZS6.2B-X	Z DIODE			C179	QEKJ1EM-475Z	E CAPACITOR	4.7uF 25V M	
D705	UDZS6.2B-X	Z DIODE			C180	QEKJ1EM-475Z	E CAPACITOR	4.7uF 25V M	
D706	UDZS6.2B-X	Z DIODE			C191	QEKJ1CM-476Z	E CAPACITOR	47uF 16V M	
D707	UDZS6.2B-X	Z DIODE			C192	QEKJ1AM-107Z	E CAPACITOR	100uF 10V M	
D708	UDZS6.2B-X	Z DIODE			C193	QEKJ1AM-107Z	E CAPACITOR	100uF 10V M	
D709	UDZS6.2B-X	Z DIODE			C194	NCB31EK-823X	C CAPACITOR	0.082uF 25V K	
D710	1SS355-X	SI DIODE			C241	QEKJ1HM-105Z	E CAPACITOR	1uF 50V M	
D712	UDZS6.2B-X	Z DIODE			C242	QEKJ1CM-226Z	E CAPACITOR	22uF 16V M	
D781	1SS133-T1	SI DIODE			C243	NCB31EK-473X	C CAPACITOR	0.047uF 25V K	
D782	1SS133-T1	SI DIODE			C244	QEKJ1HM-224Z	E CAPACITOR	0.22uF 50V M	
D784	UDZS11B-X	Z DIODE			C301	QERF1HM-225Z	E CAPACITOR	2.2uF 50V M	
D851	RB160M-30-X	SB DIODE			C302	QERF1HM-225Z	E CAPACITOR	2.2uF 50V M	
D852	RB160M-30-X	SB DIODE			C303	NCS31HJ-391X	C CAPACITOR	390pF 50V J	
D901	1N5401-TU-15	DIODE			C304	NCS31HJ-391X	C CAPACITOR	390pF 50V J	
D902	1SS355-X	SI DIODE			C311	QERF1HM-225Z	E CAPACITOR	2.2uF 50V M	
D971	RB160M-30-X	SB DIODE			C312	QERF1HM-225Z	E CAPACITOR	2.2uF 50V M	
					C313	NCS31HJ-391X	C CAPACITOR	390pF 50V J	
					C314	NCS31HJ-391X	C CAPACITOR	390pF 50V J	
					C315	QERF1EM-475Z	E CAPACITOR	4.7uF 25V M	

△ Symbol No.	Part No.	Part Name	Description	Local	△ Symbol No.	Part No.	Part Name	Description	Local
C316	QERF1EM-475Z	E CAPACITOR	4.7uF 25V M		C558	NCB31EK-473X	C CAPACITOR	0.047uF 25V K	
C317	QERF1CM-476Z	E CAPACITOR	47uF 16V M		C559	NCB31EK-473X	C CAPACITOR	0.047uF 25V K	
C318	QEKJ1CM-226Z	E CAPACITOR	22uF 16V M		C560	NCB31HK-103X	C CAPACITOR	0.01uF 50V K	
C319	NCB31EK-223X	C CAPACITOR	0.022uF 25V K		C561	QERF1AM-107Z	E CAPACITOR	100uF 10V M	
C320	NCB31EK-223X	C CAPACITOR	0.022uF 25V K		C562	NCB31HK-103X	C CAPACITOR	0.01uF 50V K	
C321	NCB31EK-473X	C CAPACITOR	0.047uF 25V K		C565	NCB31HK-103X	C CAPACITOR	0.01uF 50V K	
C322	NCB31EK-104X	C CAPACITOR	0.1uF 25V K		C566	QERF1AM-107Z	E CAPACITOR	100uF 10V M	
C323	NCB31EK-104X	C CAPACITOR	0.1uF 25V K		C567	NCS31HJ-101X	C CAPACITOR	100pF 50V J	
C324	NCB31EK-104X	C CAPACITOR	0.1uF 25V K		C568	NCB31EK-104X	C CAPACITOR	0.1uF 25V K	
C325	NCB31EK-104X	C CAPACITOR	0.1uF 25V K		C569	QERF1AM-107Z	E CAPACITOR	100uF 10V M	
C341	NCB31EK-473X	C CAPACITOR	0.047uF 25V K		C570	NCB31HK-103X	C CAPACITOR	0.01uF 50V K	
C403	NCB31HK-103X	C CAPACITOR	0.01uF 50V K		C571	NCB31HK-103X	C CAPACITOR	0.01uF 50V K	
C404	QERF1AM-107Z	E CAPACITOR	100uF 10V M		C581	NCS31HJ-561X	C CAPACITOR	560pF 50V J	
C405	QERF1AM-107Z	E CAPACITOR	100uF 10V M		C582	QEKJ1EM-475Z	E CAPACITOR	4.7uF 25V M	
C406	NCB31HK-103X	C CAPACITOR	0.01uF 50V K		C583	QEKJ0JM-476Z	E CAPACITOR	47uF 6.3V M	
C407	NCB31EK-104X	C CAPACITOR	0.1uF 25V K		C584	NCS31HJ-560X	C CAPACITOR	56pF 50V J	
C408	NCB31HK-103X	C CAPACITOR	0.01uF 50V K		C591	NCS31HJ-561X	C CAPACITOR	560pF 50V J	
C409	QERF1AM-107Z	E CAPACITOR	100uF 10V M		C592	QEKJ1EM-475Z	E CAPACITOR	4.7uF 25V M	
C410	QERF1AM-107Z	E CAPACITOR	100uF 10V M		C593	QEKJ0JM-476Z	E CAPACITOR	47uF 6.3V M	
C411	NCB31HK-103X	C CAPACITOR	0.01uF 50V K		C594	NCS31HJ-560X	C CAPACITOR	56pF 50V J	
C412	NCB31AK-334X	C CAPACITOR	0.33uF 10V K		C595	QEKJ1AM-107Z	E CAPACITOR	100uF 10V M	
C413	NCB31HK-103X	C CAPACITOR	0.01uF 50V K		C596	NCB31HK-103X	C CAPACITOR	0.01uF 50V K	
C414	QERF1AM-107Z	E CAPACITOR	100uF 10V M		C701	NDC31HJ-220X	C CAPACITOR	22pF 50V J	
C416	NCB31HK-103X	C CAPACITOR	0.01uF 50V K		C702	NDC31HJ-270X	C CAPACITOR	27pF 50V J	
C418	QERF1AM-107Z	E CAPACITOR	100uF 10V M		C703	NDC31HJ-270X	C CAPACITOR	27pF 50V J	
C419	NCB31EK-104X	C CAPACITOR	0.1uF 25V K		C704	NDC31HJ-8R0X	C CAPACITOR	8pF 50V J	
C420	NDC31HJ-220X	C CAPACITOR	22pF 50V J		C705	NCB31EK-473X	C CAPACITOR	0.047uF 25V K	
C421	NDC31HJ-220X	C CAPACITOR	22pF 50V J		C706	NCB31EK-473X	C CAPACITOR	0.047uF 25V K	
C422	NCB31EK-273X	C CAPACITOR	0.027uF 25V K		C707	NCB31EK-473X	C CAPACITOR	0.047uF 25V K	
C423	NCB31HK-221X	C CAPACITOR	220pF 50V K		C708	NCB31EK-473X	C CAPACITOR	0.047uF 25V K	
C424	NCB31EK-223X	C CAPACITOR	0.022uF 25V K		C709	NCB31HK-103X	C CAPACITOR	0.01uF 50V K	
C430	NCB31HK-103X	C CAPACITOR	0.01uF 50V K		C710	QERF0JM-476Z	E CAPACITOR	47uF 6.3V M	
C440	NCB31HK-103X	C CAPACITOR	0.01uF 50V K		C711	QERF1AM-227Z	E CAPACITOR	220uF 10V M	
C451	QERF1AM-107Z	E CAPACITOR	100uF 10V M		C712	NCB31HK-103X	C CAPACITOR	0.01uF 50V K	
C452	NCB31EK-104X	C CAPACITOR	0.1uF 25V K		C713	NCB31EK-104X	C CAPACITOR	0.1uF 25V K	
C453	NCB31EK-104X	C CAPACITOR	0.1uF 25V K		C716	NCB31EK-104X	C CAPACITOR	0.1uF 25V K	
C454	NCS31HJ-102X	C CAPACITOR	1000pF 50V J		C717	NCB31EK-104X	C CAPACITOR	0.1uF 25V K	
C461	NCB31EK-104X	C CAPACITOR	0.1uF 25V K		C718	NCB31EK-104X	C CAPACITOR	0.1uF 25V K	
C462	QERF0JM-107Z	E CAPACITOR	100uF 6.3V M		C781	QERF0JM-476Z	E CAPACITOR	47uF 6.3V M	
C463	QERF0JM-107Z	E CAPACITOR	100uF 6.3V M		C782	NCB31EK-823X	C CAPACITOR	0.082uF 25V K	
C464	NCB31EK-104X	C CAPACITOR	0.1uF 25V K		C784	QERF1CM-107Z	E CAPACITOR	100uF 16V M	
C471	NCB31EK-104X	C CAPACITOR	0.1uF 25V K		C851	QEKJ1CM-106Z	E CAPACITOR	10uF 16V M	
C472	NCB31HK-103X	C CAPACITOR	0.01uF 50V K		C852	NCB31HK-103X	C CAPACITOR	0.01uF 50V K	
C473	QEKJ0JM-227Z	E CAPACITOR	220uF 6.3V M		C901	QEZO645-228	E CAPACITOR	2200uF	
C474	QEKJ0JM-227Z	E CAPACITOR	220uF 6.3V M		C902	QERF1HM-225Z	E CAPACITOR	2.2uF 50V M	
C501	QERF1AM-227Z	E CAPACITOR	220uF 10V M		C903	QERF1CM-476Z	E CAPACITOR	47uF 16V M	
C502	NCB31HK-103X	C CAPACITOR	0.01uF 50V K		C904	QERF1CM-106Z	E CAPACITOR	10uF 16V M	
C503	QEDJ1AM-476Z	E CAPACITOR	47uF 10V M		C905	QERF1CM-476Z	E CAPACITOR	47uF 16V M	
C521	NCB31HK-103X	C CAPACITOR	0.01uF 50V K		C906	NCB31HK-103X	C CAPACITOR	0.01uF 50V K	
C522	NCB31HK-103X	C CAPACITOR	0.01uF 50V K		C907	QERF1AM-227Z	E CAPACITOR	220uF 10V M	
C523	NCB31HK-103X	C CAPACITOR	0.01uF 50V K		C908	QERF1AM-227Z	E CAPACITOR	220uF 10V M	
C524	QERF1AM-107Z	E CAPACITOR	100uF 10V M		C909	QERF1AM-227Z	E CAPACITOR	220uF 10V M	
C525	NCB31HK-103X	C CAPACITOR	0.01uF 50V K		C910	QERF1CM-476Z	E CAPACITOR	47uF 16V M	
C526	QERF1AM-107Z	E CAPACITOR	100uF 10V M		C911	NCB31CK-104X	C CAPACITOR	0.1uF 16V K	
C527	NCB31HK-682X	C CAPACITOR	6800pF 50V K		C912	NCB31HK-103X	C CAPACITOR	0.01uF 50V K	
C528	NDC31HJ-5R0X	C CAPACITOR	5pF 50V J		C913	QERF1CM-106Z	E CAPACITOR	10uF 16V M	
C529	NCB31HK-103X	C CAPACITOR	0.01uF 50V K		C914	QERF1CM-107Z	E CAPACITOR	100uF 16V M	
C530	QERF1AM-107Z	E CAPACITOR	100uF 10V M		C915	NCB31CK-104X	C CAPACITOR	0.1uF 16V K	
C531	NCB31EK-104X	C CAPACITOR	0.1uF 25V K		C918	NCB31EK-473X	C CAPACITOR	0.047uF 25V K	
C532	NCB31EK-104X	C CAPACITOR	0.1uF 25V K		C919	QERF1CM-106Z	E CAPACITOR	10uF 16V M	
C533	NDC31HJ-680X	C CAPACITOR	68pF 50V J		C920	NCB31HK-103X	C CAPACITOR	0.01uF 50V K	
C541	QERF1AM-107Z	E CAPACITOR	100uF 10V M		C961	NCS31HJ-101X	C CAPACITOR	100pF 50V J	
C542	NCB31HK-103X	C CAPACITOR	0.01uF 50V K		C962	NCS31HJ-101X	C CAPACITOR	100pF 50V J	
C543	QEKJ1HM-105Z	E CAPACITOR	1uF 50V M		C963	NCS31HJ-101X	C CAPACITOR	100pF 50V J	
C544	QERF1AM-107Z	E CAPACITOR	100uF 10V M		C964	NCS31HJ-101X	C CAPACITOR	100pF 50V J	
C545	NCB31HK-103X	C CAPACITOR	0.01uF 50V K		C965	NCS31HJ-101X	C CAPACITOR	100pF 50V J	
C546	NDC31HJ-470X	C CAPACITOR	47pF 50V J		C966	NCS31HJ-101X	C CAPACITOR	100pF 50V J	
C547	NCB31HK-153X	C CAPACITOR	0.015uF 50V K		C967	NCS31HJ-101X	C CAPACITOR	100pF 50V J	
C548	NCB31HK-103X	C CAPACITOR	0.01uF 50V K		C968	NCS31HJ-101X	C CAPACITOR	100pF 50V J	
C549	NCB31HK-272X	C CAPACITOR	2700pF 50V K		C971	NCB31EK-104X	C CAPACITOR	0.1uF 25V K	
C550	NCB31HK-103X	C CAPACITOR	0.01uF 50V K						
C551	NCB31EK-333X	C CAPACITOR	0.033uF 25V K		R1	NRS181J-120X	MG RESISTOR	12Ω 1/8W J	
C552	NCB31EK-333X	C CAPACITOR	0.033uF 25V K		R2	NRSA63J-473X	MG RESISTOR	47kΩ 1/16W J	
C553	NCB31EK-473X	C CAPACITOR	0.047uF 25V K		R3	NRSA63J-472X	MG RESISTOR	4.7kΩ 1/16W J	
C554	NCB31EK-473X	C CAPACITOR	0.047uF 25V K		R4	NRSA63J-332X	MG RESISTOR	3.3kΩ 1/16W J	
C555	NCB31EK-473X	C CAPACITOR	0.047uF 25V K		R5	NRSA63J-473X	MG RESISTOR	47kΩ 1/16W J	
C556	NCB31HK-471X	C CAPACITOR	470pF 50V K		R6	NRSA63J-473X	MG RESISTOR	47kΩ 1/16W J	
C557	NCB31HK-471X	C CAPACITOR	470pF 50V K		R7	NRSA63J-472X	MG RESISTOR	4.7kΩ 1/16W J	

△ Symbol No.	Part No.	Part Name	Description	Local	△ Symbol No.	Part No.	Part Name	Description	Local
R9	NRSA63J-470X	MG RESISTOR	47Ω 1/16W J		R506	NRSA63J-822X	MG RESISTOR	8.2kΩ 1/16W J	
R10	NRSA63J-103X	MG RESISTOR	10kΩ 1/16W J		R507	NRSA63J-203X	MG RESISTOR	20kΩ 1/16W J	
R31	NRS181J-100X	MG RESISTOR	10Ω 1/8W J		R521	NRSA63J-823X	MG RESISTOR	82kΩ 1/16W J	
R32	NRSA63J-622X	MG RESISTOR	6.2kΩ 1/16W J		R522	NRSA63J-823X	MG RESISTOR	82kΩ 1/16W J	
R33	NRSA63J-103X	MG RESISTOR	10kΩ 1/16W J		R523	NRSA63J-823X	MG RESISTOR	82kΩ 1/16W J	
R34	NRSA63J-222X	MG RESISTOR	2.2kΩ 1/16W J		R524	NRSA63J-823X	MG RESISTOR	82kΩ 1/16W J	
R35	NRSA63J-222X	MG RESISTOR	2.2kΩ 1/16W J		R525	NRSA63J-154X	MG RESISTOR	150kΩ 1/16W J	
R36	NRSA63J-222X	MG RESISTOR	2.2kΩ 1/16W J		R526	NRSA63J-154X	MG RESISTOR	150kΩ 1/16W J	
R37	NRSA63J-222X	MG RESISTOR	2.2kΩ 1/16W J		R527	NRSA02J-220X	MG RESISTOR	22Ω 1/10W J	
R38	NRSA63J-101X	MG RESISTOR	100Ω 1/16W J		R528	NRSA02J-220X	MG RESISTOR	22Ω 1/10W J	
R39	NRSA63J-0R0X	MG RESISTOR	0Ω 1/16W J		R529	NRSA63J-823X	MG RESISTOR	82kΩ 1/16W J	
R40	NRSA63J-393X	MG RESISTOR	39kΩ 1/16W J		R530	NRSA63J-473X	MG RESISTOR	47kΩ 1/16W J	
R41	NRSA63J-103X	MG RESISTOR	10kΩ 1/16W J		R531	NRSA63J-101X	MG RESISTOR	100Ω 1/16W J	
R42	NRS181J-100X	MG RESISTOR	10Ω 1/8W J		R532	NRSA63J-103X	MG RESISTOR	10kΩ 1/16W J	
R43	NRSA63J-471X	MG RESISTOR	470Ω 1/16W J		R533	NRSA63J-102X	MG RESISTOR	1kΩ 1/16W J	
R44	NRSA63J-221X	MG RESISTOR	220Ω 1/16W J		R534	NRSA63J-202X	MG RESISTOR	2kΩ 1/16W J	
R51	NRSA63J-223X	MG RESISTOR	22kΩ 1/16W J		R535	NRSA63J-821X	MG RESISTOR	820Ω 1/16W J	
R81	NRSA63J-122X	MG RESISTOR	1.2kΩ 1/16W J		R536	NRSA63J-473X	MG RESISTOR	47kΩ 1/16W J	
R82	NRSA63J-472X	MG RESISTOR	4.7kΩ 1/16W J		R537	NRSA63J-273X	MG RESISTOR	27kΩ 1/16W J	
R91	NRSA63J-122X	MG RESISTOR	1.2kΩ 1/16W J		R541	NRSA63J-472X	MG RESISTOR	4.7kΩ 1/16W J	
R92	NRSA63J-472X	MG RESISTOR	4.7kΩ 1/16W J		R542	NRSA63J-472X	MG RESISTOR	4.7kΩ 1/16W J	
R161	NRSA63J-224X	MG RESISTOR	220kΩ 1/16W J		R543	NRSA63J-472X	MG RESISTOR	4.7kΩ 1/16W J	
R162	NRSA63J-223X	MG RESISTOR	22kΩ 1/16W J		R544	NRSA63J-472X	MG RESISTOR	4.7kΩ 1/16W J	
R163	NRSA63J-222X	MG RESISTOR	2.2kΩ 1/16W J		R545	NRSA63J-103X	MG RESISTOR	10kΩ 1/16W J	
R164	NRSA63J-473X	MG RESISTOR	47kΩ 1/16W J		R546	NRSA63J-562X	MG RESISTOR	5.6kΩ 1/16W J	
R165	NRSA63J-473X	MG RESISTOR	47kΩ 1/16W J		R547	NRSA63J-473X	MG RESISTOR	47kΩ 1/16W J	
R171	NRSA63J-224X	MG RESISTOR	220kΩ 1/16W J		R548	NRSA63J-155X	MG RESISTOR	1.5MΩ 1/16W J	
R172	NRSA63J-223X	MG RESISTOR	22kΩ 1/16W J		R549	NRSA63J-474X	MG RESISTOR	470kΩ 1/16W J	
R173	NRSA63J-222X	MG RESISTOR	2.2kΩ 1/16W J		R550	NRSA63J-103X	MG RESISTOR	10kΩ 1/16W J	
R174	NRSA63J-473X	MG RESISTOR	47kΩ 1/16W J		R551	NRSA63J-103X	MG RESISTOR	10kΩ 1/16W J	
R175	NRSA63J-473X	MG RESISTOR	47kΩ 1/16W J		R552	NRSA63J-0R0X	MG RESISTOR	0Ω 1/16W J	
R181	NRSA63J-271X	MG RESISTOR	270Ω 1/16W J		R553	NRSA63J-0R0X	MG RESISTOR	0Ω 1/16W J	
R182	NRSA63J-271X	MG RESISTOR	270Ω 1/16W J		R554	NRSA63J-0R0X	MG RESISTOR	0Ω 1/16W J	
R241	NRSA63J-473X	MG RESISTOR	47kΩ 1/16W J		R555	NRSA63J-101X	MG RESISTOR	100Ω 1/16W J	
R242	NRSA63J-223X	MG RESISTOR	22kΩ 1/16W J		R556	NRSA63J-101X	MG RESISTOR	100Ω 1/16W J	
R243	NRSA63J-184X	MG RESISTOR	180kΩ 1/16W J		R557	NRSA63J-101X	MG RESISTOR	100Ω 1/16W J	
R244	NRSA63J-123X	MG RESISTOR	12kΩ 1/16W J		R558	NRSA63J-101X	MG RESISTOR	100Ω 1/16W J	
R245	NRSA63J-101X	MG RESISTOR	100Ω 1/16W J		R559	NRSA63J-105X	MG RESISTOR	1MΩ 1/16W J	
R246	NRSA63J-102X	MG RESISTOR	1kΩ 1/16W J		R570	NRSA63J-331X	MG RESISTOR	330Ω 1/16W J	
R247	NRSA63J-563X	MG RESISTOR	56kΩ 1/16W J		R571	NRSA63J-681X	MG RESISTOR	680Ω 1/16W J	
R301	NRSA63J-273X	MG RESISTOR	27kΩ 1/16W J		R572	NRSA63J-331X	MG RESISTOR	330Ω 1/16W J	
R302	NRSA63J-273X	MG RESISTOR	27kΩ 1/16W J		R573	NRSA63J-681X	MG RESISTOR	680Ω 1/16W J	
R311	NRSA63J-273X	MG RESISTOR	27kΩ 1/16W J		R574	NRSA63J-331X	MG RESISTOR	330Ω 1/16W J	
R312	NRSA63J-273X	MG RESISTOR	27kΩ 1/16W J		R575	NRSA63J-681X	MG RESISTOR	680Ω 1/16W J	
R321	NRSA63J-222X	MG RESISTOR	2.2kΩ 1/16W J		R581	NRSA63J-203X	MG RESISTOR	20kΩ 1/16W J	
R322	NRSA63J-821X	MG RESISTOR	820Ω 1/16W J		R582	NRSA63J-223X	MG RESISTOR	22kΩ 1/16W J	
R323	NRSA63J-101X	MG RESISTOR	100Ω 1/16W J		R583	NRSA63J-223X	MG RESISTOR	22kΩ 1/16W J	
R331	NRSA63J-222X	MG RESISTOR	2.2kΩ 1/16W J		R584	NRSA63J-563X	MG RESISTOR	56kΩ 1/16W J	
R332	NRSA63J-821X	MG RESISTOR	820Ω 1/16W J		R585	NRSA63J-183X	MG RESISTOR	18kΩ 1/16W J	
R333	NRSA63J-101X	MG RESISTOR	100Ω 1/16W J		R586	NRSA63J-152X	MG RESISTOR	1.5kΩ 1/16W J	
R341	NRSA63J-222X	MG RESISTOR	2.2kΩ 1/16W J		R587	NRSA63J-0R0X	MG RESISTOR	0Ω 1/16W J	
R342	NRSA63J-821X	MG RESISTOR	820Ω 1/16W J		R591	NRSA63J-203X	MG RESISTOR	20kΩ 1/16W J	
R343	NRSA63J-101X	MG RESISTOR	100Ω 1/16W J		R592	NRSA63J-223X	MG RESISTOR	22kΩ 1/16W J	
R351	NRSA63J-222X	MG RESISTOR	2.2kΩ 1/16W J		R593	NRSA63J-223X	MG RESISTOR	22kΩ 1/16W J	
R352	NRSA63J-821X	MG RESISTOR	820Ω 1/16W J		R594	NRSA63J-563X	MG RESISTOR	56kΩ 1/16W J	
R353	NRSA63J-101X	MG RESISTOR	100Ω 1/16W J		R595	NRSA63J-183X	MG RESISTOR	18kΩ 1/16W J	
R402	NRSA63J-470X	MG RESISTOR	47Ω 1/16W J		R596	NRSA63J-152X	MG RESISTOR	1.5kΩ 1/16W J	
R404	NRSA63J-103X	MG RESISTOR	10kΩ 1/16W J		R597	NRSA63J-0R0X	MG RESISTOR	0Ω 1/16W J	
R408	NRSA63J-473X	MG RESISTOR	47kΩ 1/16W J		R701	NRSA63J-473X	MG RESISTOR	47kΩ 1/16W J	
R409	NRSA63J-331X	MG RESISTOR	330Ω 1/16W J		R702	NRSA63J-0R0X	MG RESISTOR	0Ω 1/16W J	
R410	NRSA63J-331X	MG RESISTOR	330Ω 1/16W J		R703	NRSA63J-0R0X	MG RESISTOR	0Ω 1/16W J	
R411	NRSA63J-225X	MG RESISTOR	2.2MΩ 1/16W J		R704	NRSA63J-473X	MG RESISTOR	47kΩ 1/16W J	
R412	NRSA63J-0R0X	MG RESISTOR	0Ω 1/16W J		R705	NRSA63J-473X	MG RESISTOR	47kΩ 1/16W J	
R420	NRSA63J-221X	MG RESISTOR	220Ω 1/16W J		R706	NRSA63J-473X	MG RESISTOR	47kΩ 1/16W J	
R421	NRSA63J-471X	MG RESISTOR	470Ω 1/16W J		R707	NRSA63J-473X	MG RESISTOR	47kΩ 1/16W J	
R422	NRSA63J-223X	MG RESISTOR	22kΩ 1/16W J		R708	NRSA63J-332X	MG RESISTOR	3.3kΩ 1/16W J	
R423	NRSA63J-473X	MG RESISTOR	47kΩ 1/16W J		R709	NRSA63J-473X	MG RESISTOR	47kΩ 1/16W J	
R424	NRSA63J-221X	MG RESISTOR	220Ω 1/16W J		R710	NRSA63J-0R0X	MG RESISTOR	0Ω 1/16W J	
R425	NRSA63J-471X	MG RESISTOR	470Ω 1/16W J		R711	NRSA63J-0R0X	MG RESISTOR	0Ω 1/16W J	
R426	NRSA63J-221X	MG RESISTOR	220Ω 1/16W J		R712	NRSA63J-0R0X	MG RESISTOR	0Ω 1/16W J	
R427	NRSA63J-471X	MG RESISTOR	470Ω 1/16W J		R713	NRSA63J-0R0X	MG RESISTOR	0Ω 1/16W J	
R430	NRSA63J-102X	MG RESISTOR	1kΩ 1/16W J		R714	NRSA63J-473X	MG RESISTOR	47kΩ 1/16W J	
R440	NRSA63J-102X	MG RESISTOR	1kΩ 1/16W J		R715	NRSA63J-0R0X	MG RESISTOR	0Ω 1/16W J	
R451	NRSA63J-103X	MG RESISTOR	10kΩ 1/16W J		R716	NRSA63J-0R0X	MG RESISTOR	0Ω 1/16W J	
R501	NRSA63J-682X	MG RESISTOR	6.8kΩ 1/16W J		R719	NRSA63J-0R0X	MG RESISTOR	0Ω 1/16W J	
R502	NRSA63J-682X	MG RESISTOR	6.8kΩ 1/16W J		R720	NRSA63J-122X	MG RESISTOR	1.2kΩ 1/16W J	
R503	NRSA63J-562X	MG RESISTOR	5.6kΩ 1/16W J		R721	NRSA63J-102X	MG RESISTOR	1kΩ 1/16W J	
R504	NRSA63J-103X	MG RESISTOR	10kΩ 1/16W J		R722	NRSA63J-103X	MG RESISTOR	10kΩ 1/16W J	

△ Symbol No.	Part No.	Part Name	Description	Local
R723	NRSA63J-103X	MG RESISTOR	10kΩ 1/16W J	
R725	NRSA63J-103X	MG RESISTOR	10kΩ 1/16W J	
R726	NRSA63J-103X	MG RESISTOR	10kΩ 1/16W J	
R728	NRSA63J-103X	MG RESISTOR	10kΩ 1/16W J	
R729	NRSA63J-473X	MG RESISTOR	47kΩ 1/16W J	
R734	NRSA63J-222X	MG RESISTOR	2.2kΩ 1/16W J	
R735	NRSA63J-222X	MG RESISTOR	2.2kΩ 1/16W J	
R736	NRSA63J-222X	MG RESISTOR	2.2kΩ 1/16W J	
R741	NRSA63J-103X	MG RESISTOR	10kΩ 1/16W J	
R742	NRSA63J-473X	MG RESISTOR	47kΩ 1/16W J	
R743	NRSA63J-103X	MG RESISTOR	10kΩ 1/16W J	
R744	NRSA63J-103X	MG RESISTOR	10kΩ 1/16W J	
R745	NRSA63J-103X	MG RESISTOR	10kΩ 1/16W J	
R746	NRSA63J-103X	MG RESISTOR	10kΩ 1/16W J	
R747	NRSA63J-472X	MG RESISTOR	4.7kΩ 1/16W J	
R748	NRSA63J-472X	MG RESISTOR	4.7kΩ 1/16W J	
R749	NRSA63J-472X	MG RESISTOR	4.7kΩ 1/16W J	
R750	NRSA63J-103X	MG RESISTOR	10kΩ 1/16W J	
R751	NRSA63J-103X	MG RESISTOR	10kΩ 1/16W J	
R752	NRSA63J-473X	MG RESISTOR	47kΩ 1/16W J	
R753	NRSA63J-473X	MG RESISTOR	47kΩ 1/16W J	
R754	NRSA63J-821X	MG RESISTOR	820Ω 1/16W J	
R755	NRSA63J-106X	MG RESISTOR	10MΩ 1/16W J	
R756	NRSA63J-473X	MG RESISTOR	47kΩ 1/16W J	
R757	NRSA63J-222X	MG RESISTOR	2.2kΩ 1/16W J	
R758	NRSA63J-473X	MG RESISTOR	47kΩ 1/16W J	
R760	NRSA63J-473X	MG RESISTOR	47kΩ 1/16W J	
R763	NRSA63J-102X	MG RESISTOR	1kΩ 1/16W J	
R765	NRSA63J-0R0X	MG RESISTOR	0Ω 1/16W J	
R766	NRSA63J-473X	MG RESISTOR	47kΩ 1/16W J	
R767	NRSA63J-473X	MG RESISTOR	47kΩ 1/16W J	
R783	NRSA63J-102X	MG RESISTOR	1kΩ 1/16W J	
R784	NRSA63J-473X	MG RESISTOR	47kΩ 1/16W J	
R851	NRSA63J-103X	MG RESISTOR	10kΩ 1/16W J	
R901	QRE142J-102X	C RESISTOR	1kΩ 1/4W J	
R902	NRSA02J-912X	MG RESISTOR	9.1kΩ 1/10W J	
R903	NRSA02J-472X	MG RESISTOR	4.7kΩ 1/10W J	
R971	NRS181J-222X	MG RESISTOR	2.2kΩ 1/8W J	
R972	NRS181J-222X	MG RESISTOR	2.2kΩ 1/8W J	
R976	NRSA02J-273X	MG RESISTOR	27kΩ 1/10W J	
R977	NRSA02J-123X	MG RESISTOR	12kΩ 1/10W J	
R981	NRSA63J-473X	MG RESISTOR	47kΩ 1/16W J	
RA451	NRZ0014-103X	NET RESISTOR	10kΩ	
RA452	NRZ0014-103X	NET RESISTOR	10kΩ	
RA453	NRZ0014-103X	NET RESISTOR	10kΩ	
RA454	NRZ0014-103X	NET RESISTOR	10kΩ	
RA455	NRZ0014-103X	NET RESISTOR	10kΩ	
RA456	NRZ0014-103X	NET RESISTOR	10kΩ	
RA457	NRZ0014-103X	NET RESISTOR	10kΩ	
L1	QQL244J-4R7Z	INDUCTOR	4.7uH J	
L401	NQL114K-470X	INDUCITOR	47uH K	
L402	NQL114K-470X	INDUCITOR	47uH K	
L403	NQL114K-470X	INDUCITOR	47uH K	
L541	NQL114K-470X	INDUCITOR	47uH K	
L542	NQL114K-470X	INDUCITOR	47uH K	
L543	NQL114K-470X	INDUCITOR	47uH K	
L544	NQL114K-470X	INDUCITOR	47uH K	
L701	NQL114K-470X	INDUCITOR	47uH K	
L901	QQR0703-001	CHOKO COIL		
CN601	QGB2027M1-26S	CONNECTOR	B-B (1-26)	
CN701	VMC0334-001	CONNECTOR		
CN901	QNZ0002-001	16P CONNECTOR		
J1	QNB0100-002	CAR ANT JACK		
J321	QNN0175-001	PIN JACK		
TU1	QAU0291-001	TUNER		
X31	QAX0616-001Z	CRYSTAL	10.250MHz	
X401	QAX0413-001Z	CRYSTAL	16.9344MHz	
X701	QAX0617-001Z	CRYSTAL	12.500MHz	
X702	QAX0401-001	CRYSTAL	32.768KHz	

Front board

Block No. [0][2][0][0]

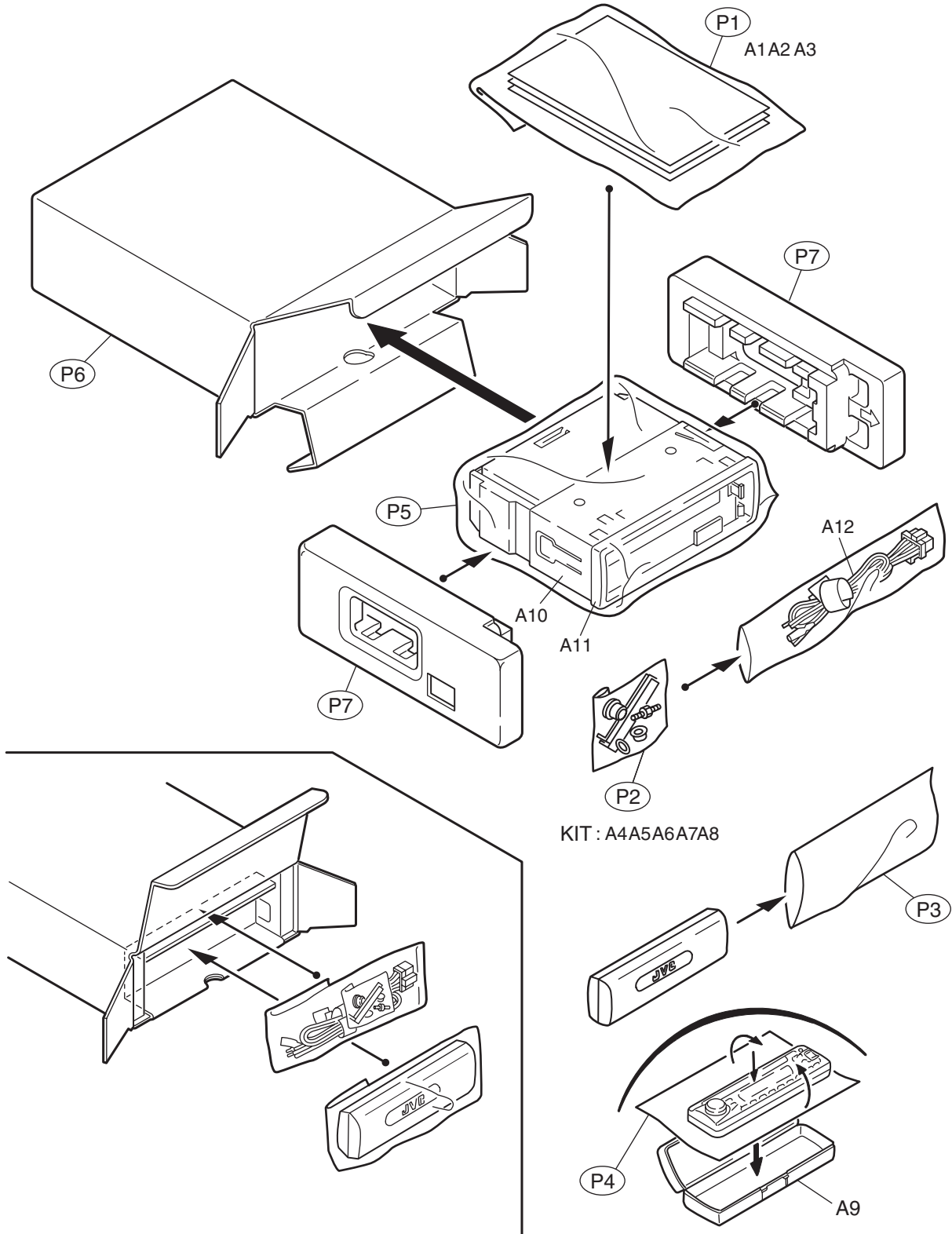
△ Symbol No.	Part No.	Part Name	Description	Local
IC601	LC75823W	IC		
IC602	RPM6938-SV4	REMOCON RCV		
D601	SML-310VT/JK/-X	LED		
D602	SML-310VT/JK/-X	LED		
D603	SML-310VT/JK/-X	LED		
D604	SML-310VT/JK/-X	LED		
D605	SML-310VT/JK/-X	LED		
D606	SML-310VT/JK/-X	LED		
D607	SML-310VT/JK/-X	LED		
D608	SML-310VT/JK/-X	LED		
D609	SML-310VT/JK/-X	LED		
D610	SML-310VT/JK/-X	LED		
D611	SML-310VT/JK/-X	LED		
D613	SML-310VT/JK/-X	LED		
D614	SML-310VT/JK/-X	LED		
D615	SML-310VT/JK/-X	LED		
D616	SML-310VT/JK/-X	LED		
D617	SML-310VT/JK/-X	LED		
D618	LT1F67AF-W	LED		
D619	SML-310VT/JK/-X	LED		
D620	SML-310VT/JK/-X	LED		
D621	SML-310VT/JK/-X	LED		
D622	SML-310VT/JK/-X	LED		
D623	SML-310VT/JK/-X	LED		
D624	SML-310VT/JK/-X	LED		
D625	SML-310LT/MN/-X	LED		
D641	UDZS5.1B-X	Z DIODE		
D642	1SS355-X	SI DIODE		
D643	1SS355-X	SI DIODE		
D644	NSPW310BS/BR/S	LED		
D645	NSPW310BS/BR/S	LED		
D646	UDZS6.2B-X	Z DIODE		
C601	NCB31HK-223X	C CAPACITOR	0.022uF 50V K	
C602	NCS31HJ-681X	C CAPACITOR	680pF 50V J	
C603	NBE20JM-106X	TA E CAPACITOR	10uF 6.3V M	
C611	NCB31HK-123X	C CAPACITOR	0.012uF 50V K	
C612	NBE20JM-475X	TA E CAPACITOR	4.7uF 6.3V M	
R601	NRSA63J-182X	MG RESISTOR	1.8kΩ 1/16W J	
R602	NRSA63J-122X	MG RESISTOR	1.2kΩ 1/16W J	
R603	NRSA63J-182X	MG RESISTOR	1.8kΩ 1/16W J	
R604	NRSA63J-272X	MG RESISTOR	2.7kΩ 1/16W J	
R605	NRSA63J-392X	MG RESISTOR	3.9kΩ 1/16W J	
R606	NRSA63J-821X	MG RESISTOR	820Ω 1/16W J	
R607	NRSA63J-821X	MG RESISTOR	820Ω 1/16W J	
R608	NRSA63J-122X	MG RESISTOR	1.2kΩ 1/16W J	
R609	NRSA63J-182X	MG RESISTOR	1.8kΩ 1/16W J	
R610	NRSA63J-272X	MG RESISTOR	2.7kΩ 1/16W J	
R611	NRSA63J-392X	MG RESISTOR	3.9kΩ 1/16W J	
R612	NRSA63J-821X	MG RESISTOR	820Ω 1/16W J	
R613	NRSA63J-821X	MG RESISTOR	820Ω 1/16W J	
R614	NRSA63J-122X	MG RESISTOR	1.2kΩ 1/16W J	
R615	NRSA63J-182X	MG RESISTOR	1.8kΩ 1/16W J	
R616	NRSA63J-272X	MG RESISTOR	2.7kΩ 1/16W J	
R631	NRSA63J-821X	MG RESISTOR	820Ω 1/16W J	
R632	NRSA63J-182X	MG RESISTOR	1.8kΩ 1/16W J	
R633	NRSA63J-182X	MG RESISTOR	1.8kΩ 1/16W J	
R634	NRSA63J-182X	MG RESISTOR	1.8kΩ 1/16W J	
R635	NRSA63J-182X	MG RESISTOR	1.8kΩ 1/16W J	
R636	NRSA63J-182X	MG RESISTOR	1.8kΩ 1/16W J	
R637	NRSA63J-182X	MG RESISTOR	1.8kΩ 1/16W J	
R638	NRSA63J-511X	MG RESISTOR	510Ω 1/16W J	
R639	NRSA63J-511X	MG RESISTOR	510Ω 1/16W J	
R640	NRSA63J-511X	MG RESISTOR	510Ω 1/16W J	
R641	NRSA63J-511X	MG RESISTOR	510Ω 1/16W J	
R642	NRSA63J-821X	MG RESISTOR	820Ω 1/16W J	
R643	NRSA63J-821X	MG RESISTOR	820Ω 1/16W J	
R644	NRSA63J-182X	MG RESISTOR	1.8kΩ 1/16W J	
R645	NRSA63J-182X	MG RESISTOR	1.8kΩ 1/16W J	
R646	NRSA63J-821X	MG RESISTOR	820Ω 1/16W J	
R647	NRSA63J-821X	MG RESISTOR	820Ω 1/16W J	
R648	NRSA63J-681X	MG RESISTOR	680Ω 1/16W J	

Symbol No.	Part No.	Part Name	Description	Local
R649	NRSA63J-821X	MG RESISTOR	820Ω 1/16W J	
R651	NRSA63J-222X	MG RESISTOR	2.2kΩ 1/16W J	
R652	NRSA63J-222X	MG RESISTOR	2.2kΩ 1/16W J	
R653	NRSA63J-103X	MG RESISTOR	10kΩ 1/16W J	
R654	NRSA63J-103X	MG RESISTOR	10kΩ 1/16W J	
R655	NRSA63J-103X	MG RESISTOR	10kΩ 1/16W J	
R656	NRSA63J-103X	MG RESISTOR	10kΩ 1/16W J	
R657	NRSA63J-513X	MG RESISTOR	51kΩ 1/16W J	
R658	NRSA63J-184X	MG RESISTOR	180kΩ 1/16W J	
R659	NRS181J-391X	MG RESISTOR	390Ω 1/8W J	
R660	NRS181J-391X	MG RESISTOR	390Ω 1/8W J	
R661	NRS181J-103X	MG RESISTOR	10kΩ 1/8W J	
R662	NRSA63J-471X	MG RESISTOR	470Ω 1/16W J	
R681	NRSA63J-101X	MG RESISTOR	100Ω 1/16W J	
CJ601	VMC0335-001	PANEL CONNECTOR		
JS690	QSW0793-001	ROTARY ENCODER		
S601	NSW0124-001X	TACT SW		
S602	NSW0124-001X	TACT SW		
S603	NSW0124-001X	TACT SW		
S604	NSW0124-001X	TACT SW		
S605	NSW0124-001X	TACT SW		
S606	NSW0124-001X	TACT SW		
S607	NSW0124-001X	TACT SW		
S608	NSW0124-001X	TACT SW		
S609	NSW0124-001X	TACT SW		
S610	NSW0124-001X	TACT SW		
S611	NSW0124-001X	TACT SW		
S612	NSW0124-001X	TACT SW		
S613	NSW0124-001X	TACT SW		
S614	NSW0124-001X	TACT SW		
S615	NSW0124-001X	TACT SW		
S616	NSW0124-001X	TACT SW		
S617	NSW0124-001X	TACT SW		
S618	NSW0124-001X	TACT SW		
S619	NSW0124-001X	TACT SW		

<MEMO>

Packing materials and accessories parts list

Block No. M 3 M M



Packing and accessories

Block No. [M][3][M][M]

△ Symbol No.	Part No.	Part Name	Description	Local
A 1	GET0163-001A	INST BOOK	ENG CHI CHI(TAIWAN)ARA	
A 2	GET0163-002A	INSTALL MANUAL	ENG CHI CHI(TAIWAN)ARA	
A 3	LVT0918-001A	MP3 SHEET		
A 4	VKZ4027-202	PLUG NUT		
A 5	VKH4871-001SS	MOUNT BOLT		
A 6	VKZ4328-001	LOCK NUT		
A 7	WNS5000Z	WASHER		
A 8	FSKL4010-002	HOOK	(x2)	
A 9	FSJB3001-30C	HARD CASE		
A 10	FSKM2004-202	MOUNTING SLEEVE		
A 11	FSJD2034-005	TRIM PLATE		
A 12	QAM0390-001	16P CORD		
KIT	KDGS717K-SCREW1	SCREW PARTS KIT	A4 to A8	
P 1	FSPG4002-001	POLY BAG		
P 2	QPA00801205	POLY BAG	8cm x 12cm	
P 3	QPA01003003	POLY BAG	10cm x 30cm	
P 4	FSYH4036-068	SHEET		
P 5	QPC03004315P	POLY BAG	30cm x 43cm	
P 6	GE30940-001A	CARTON		
P 7	GE10036-001A	PAPER CUSHION	(x2)	